

FORT BRAGG'S SPECIAL EVENT BAG POLICY

APPROVED BAGS



12" X 6" X 12"
CLEAR PLASTIC BAG



1-GALLON PLASTIC
FREEZER BAG



CLUTCH WITH
SHOULDER STRAP



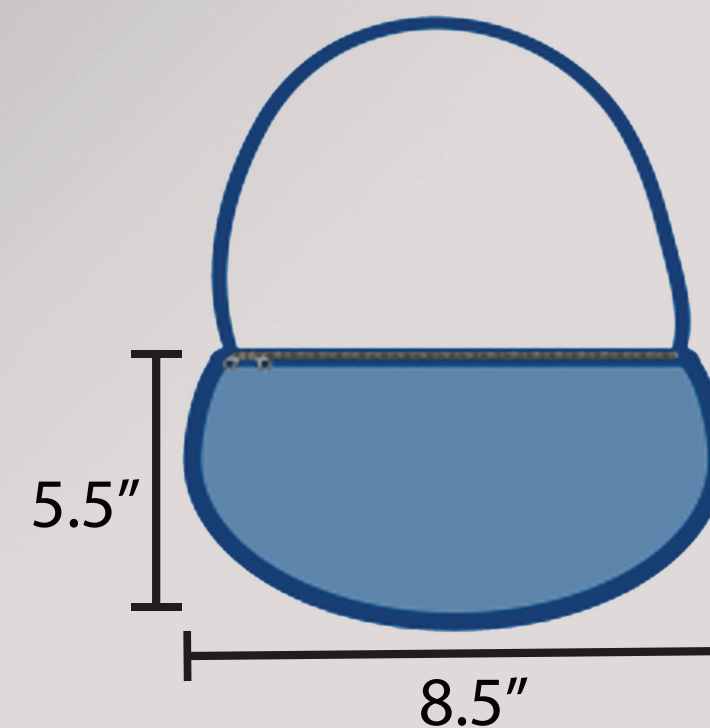
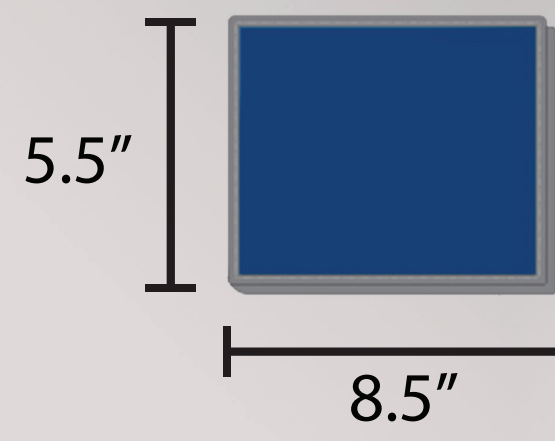
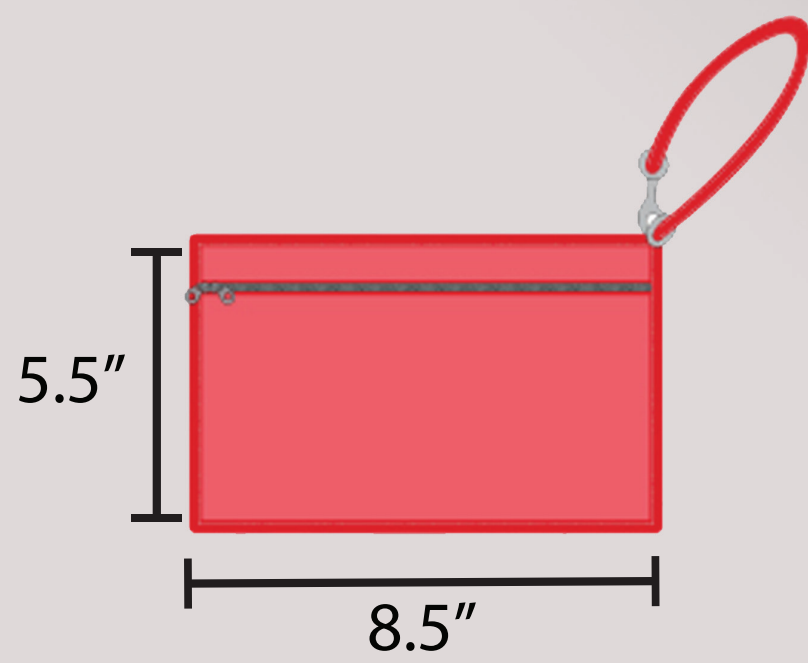
DIAPER BAGS
WITH CHILD



CLUTCH WITH
WRIST STRAP

SMALL CLUTCH PURSE

Approximately the size of a hand with or without a handle or strap.
No larger than 5.5"x8.5" with or without a handle or strap.
Can be carried separately or within an approved plastic bag.



NON-APPROVED BAGS



BACKPACK



CAMERA CASE



MESH BAG



PURSE



SEAT CUSHION



CLEAR
BACKPACK



TINTED
PLASTIC BAG



OVERSIZE
TOTE BAG



PRINTED PATTERN
PLASTIC BAG



BINOCULARS
CASE



FANNY PACK

